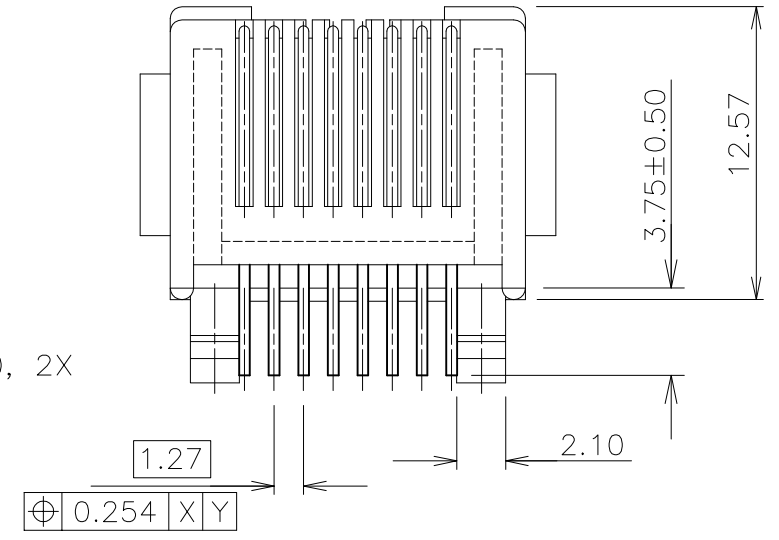
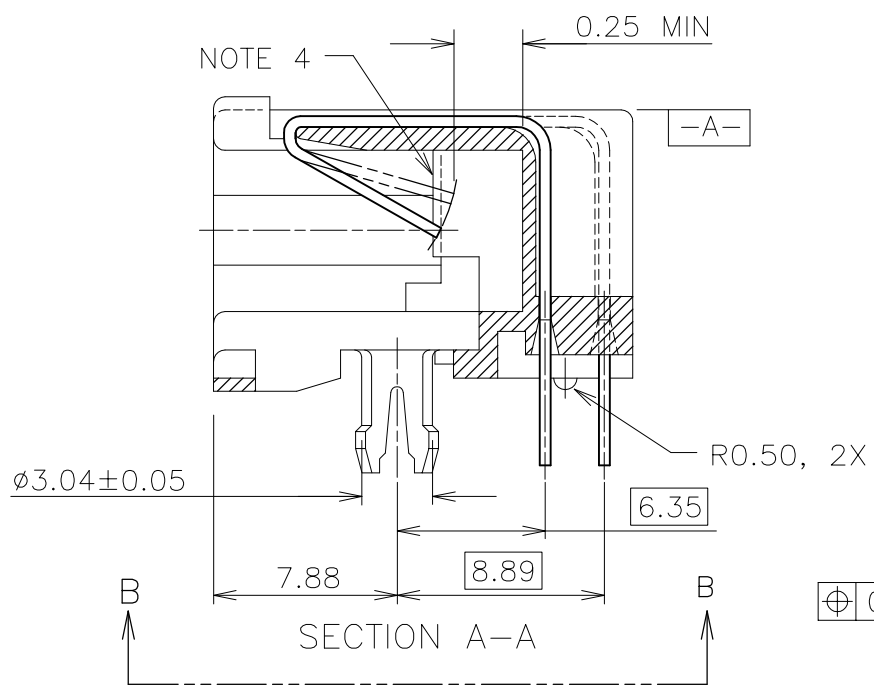
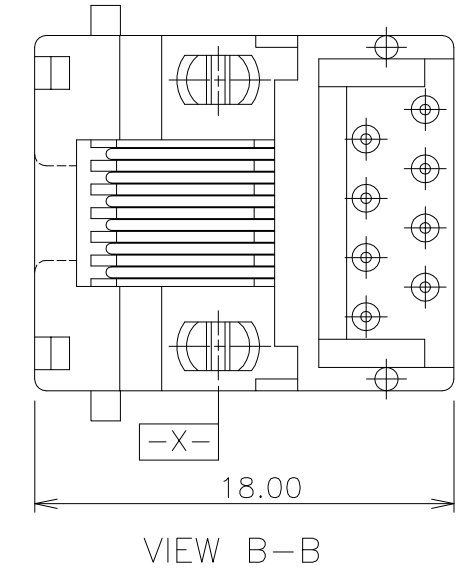
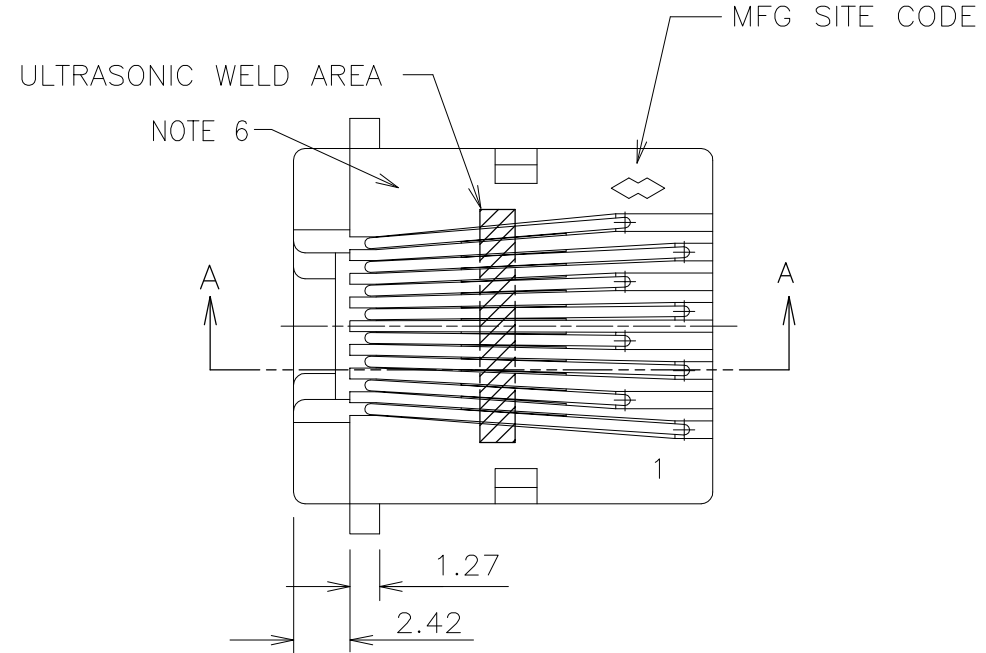
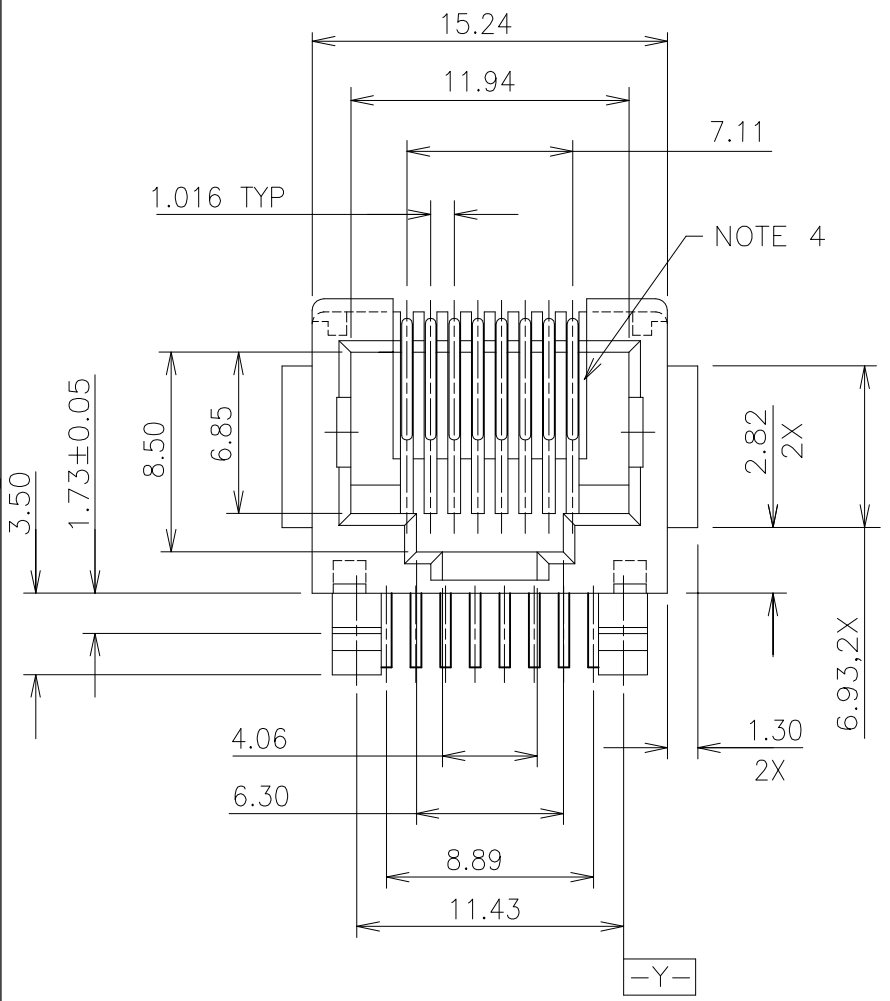


FCI

All rights strictly reserved. Reproduction or issue to third parties in any form whatever is not permitted without written authority from the proprietor. Property of FCI. Copyright FCI.

Tous droits strictement reserves. Reproduction ou communication a des tiers interdite sous quelque forme que ce soit sans autorisation ecrite du proprietaire. Propriete de c FCI. Droits de reproduction FCI.

PRODUCT NO.
SEE TABLE



mat'l. code				tolerances unless otherwise specified		CUSTOMER COPY	 www.fciconnect.com	
-								
ltr	ecn no	dr	date	linear	.X ±.3		projection	title
A	T40185		7/8/94		.XX ±.10			
B	T50232	CL	8/11/95	angles	.XXX ±.050		 MM	MODIFIED LOW PROFILE PCB III HORZ MOD JACK FOR 1.6MM P.C.B.
C	V60576	GAH	3/22/96		0° ±2°			
D	TDD076	BKB	3/30/00	dr	DKLIN	7/6/94	scale	product family MODJACK
E	V12594	LP	3/28/02	enr	TONY CHEN	7/6/94		
F	V03-1103	PJ	10/22/03	chr	TONY CHEN	7/8/94	A4	size 94908
G	V05-0187	LP	3/23/05	appd	TONY CHEN	7/8/94		
	revision	G	G					
	sheet	1	2					

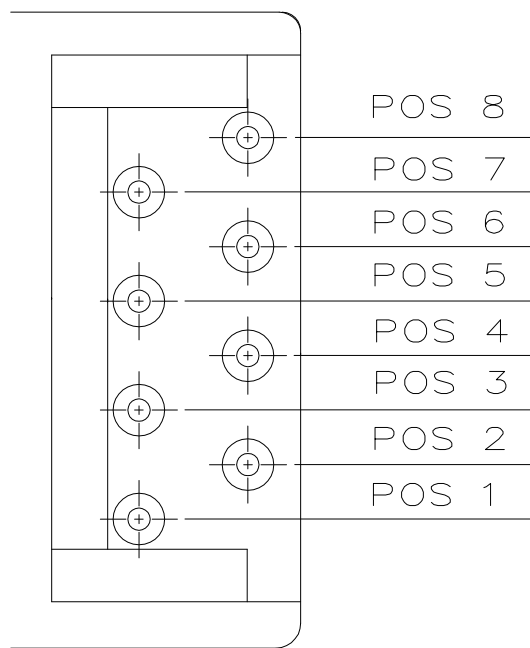
cage code
22526

ACAD

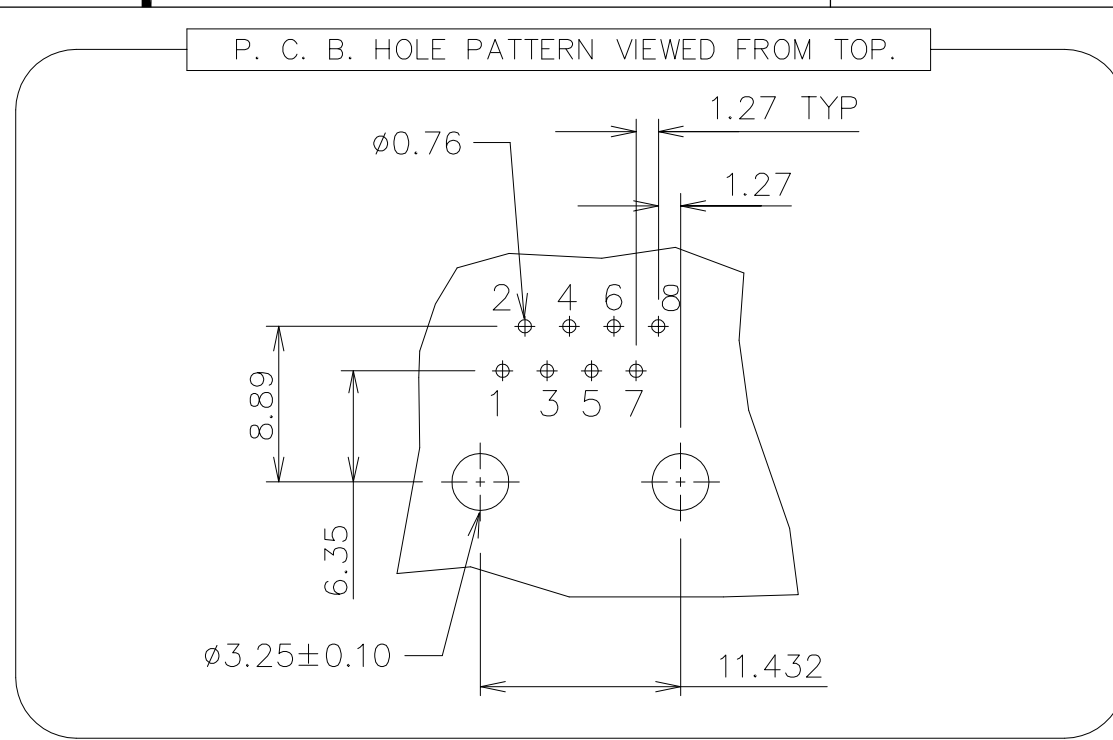
PRODUCT NUMBER	NO OF POS	LOADED POSITION
94908-X88	8	ALL POS.
94908-X86		2,3,4,5,6,7
94908-X84		3,4,5,6
94908-X84A		1,2,3,6
94908-X88LF	8	ALL POS.
94908-X86LF		2,3,4,5,6,7
94908-X84LF		3,4,5,6
94908-X84ALF		1,2,3,6

NOTE: PLEASE CHECK FOR AVAILABILITY, NOT ALL OPTIONS AVAILABLE.

PLATING CODE	PLATING	HSG COLOR
0	30μ" G.X.T.	BLACK
1	15μ" AU	
2	20μ" GFPD	
3	30μ" AU	
4	15μ" G.X.T.	
5	50μ" AU	



WIRE POSITION No



NOTES:

- RECOMMENDED P.C.B THICKNESS 1.60 MM
- HOUSING MAT'L: NYLON 66, 25% GLASS REINFORCED, UL94-V0, COLOR : SEE TABLE.
THE HOUSING WILL WITHSTAND EXPOSURE TO 260 DEGREES C PEAK TEMPERATURE FOR 10 SECONDS IN A WAVE SOLDER APPLICATION WITH A 1.60mm MIN THICK CIRCUIT BOARD.
- CONTACTS: PHOS BRONZE ALLOY UNS-C51000, 0.460 DIA. ROUND WIRE. SEE TABLE FOR PLATING.
- PROTRUDED SHELF ONLY APPEARS ON 8-POS JACK.
- STANDARD PACKAGING METHOD (USE TUBE): SEE GES-14-361. PACKAGING OF LEAD FREE PRODUCTS MEETS LABELING AND PACKAGING SPECIFICATION GS-14-920.
- COMPANY LOGO LOCATED IN THIS AREA ,AND WOULD APPEAR IN THE SAME SHIPMENT UNLESS LOGO SPEC HEREIN IS UPDATED.
- LEAD FREE PRODUCTS MEET EUROPEAN UNION DIRECTIVES AND OTHER COUNTRY REGULATIONS AS DESCRIBED IN GS-22-008.

mat'l. code				tolerances unless otherwise specified		CUSTOMER COPY	FCI www.fciconnect.com
ltr	ecn no	dr	date	linear	.X ±.3		
G				angles	.XX ±.10	MM	product family MODJACK
				dr	.XXX ±.050		
				engr	0° ±2°	1:1	A4
				chr	7/6/94		
				appd	7/6/94	213	
sheet index				revision sheet		sheet	
						2 of 2	

cage code
22526